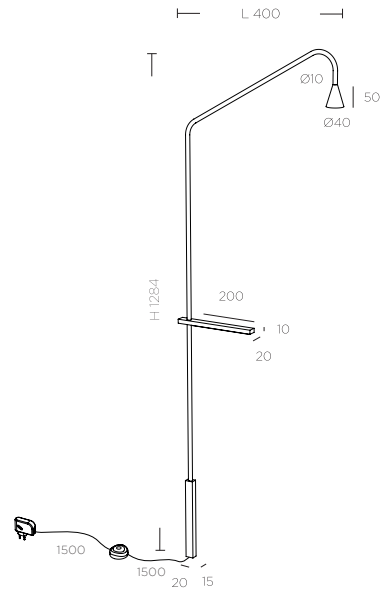




AUSTERE-Table

Design by Hans Verstuyft



Material

brass

Materiaal

messing

Matériau

laiton



Finish

black - brass - white - gunmetal

Afwerking

zwart - messing - wit - gunmetal

Finition

noir - laiton - blanc - canon de fusil

Lightsource

1 x LED array (included) 6,2W
warm white : 2700K - 600lm - CRI >93

Lichtbron

1 x LED array (inclusief) 6,2W
warm wit : 2700K - 600lm - CRI >93

Source lumineuse

1 x LED array (inclus) 6,2W
blanc chaud : 2700K - 600lm - CRI >93

Connection

230V - driver on plug

Aansluiting

230V - voeding op kabel

Connexion

230V - convertisseur sur le câble

Specifications

indoor
table
class II
IP40

Specificaties

binnen
tafel
klasse II
IP40

Spécifications

intérieur
table
classe II
IP40

As time passes by, it is possible that the brass finish may evolve over time, influenced by conditions of humidity, the weather or frequent handling. To help preserving its original appearance, it is recommended to only use a soft dry cloth for daily cleaning. For occasional and intensive cleaning, use a detergent specifically for brass. Please, do not use any aggressive cleaning detergents or solvents containing strong chemicals, as this will damage the brass surface permanently.